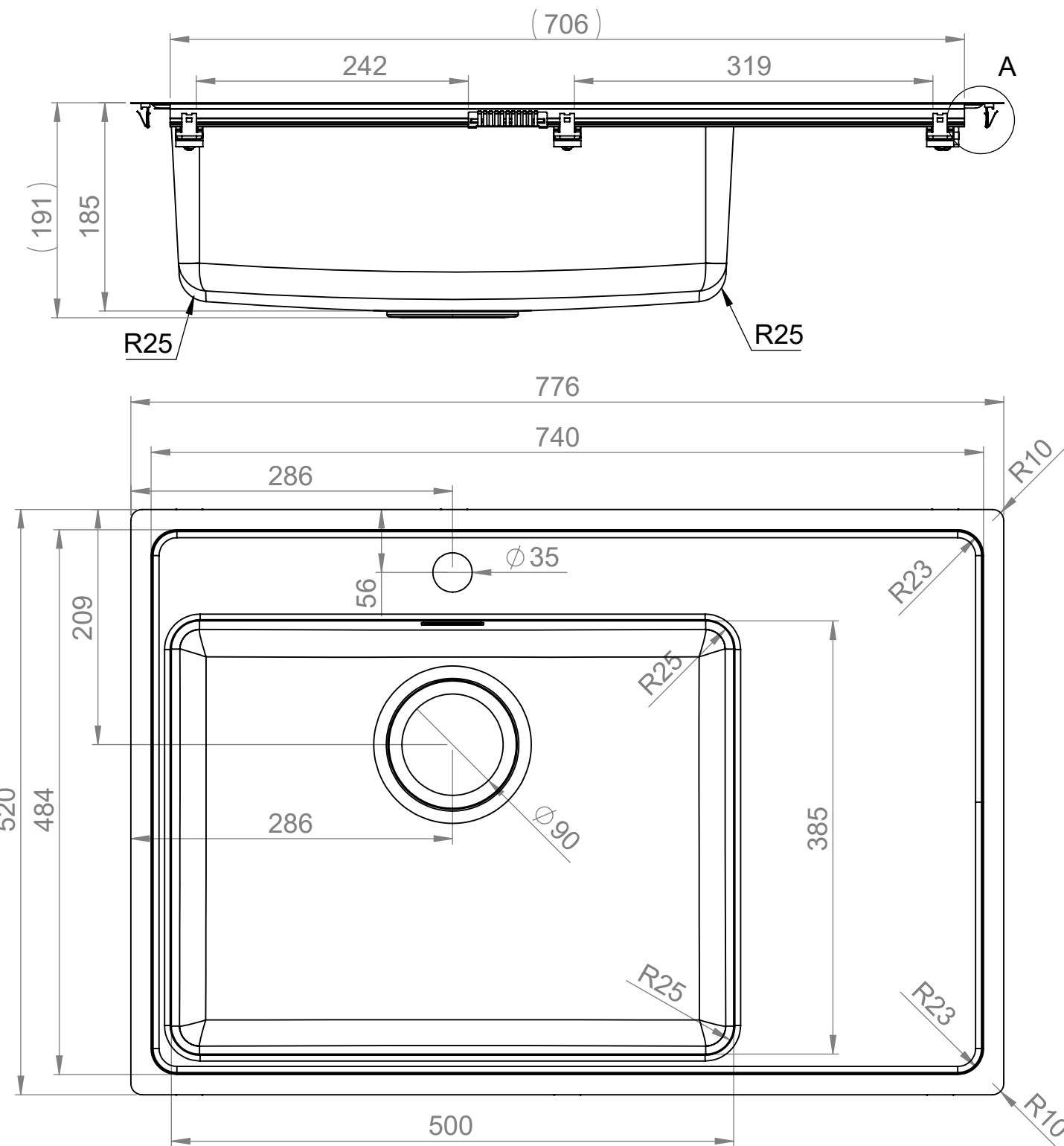


MAIN DIMENSIONS

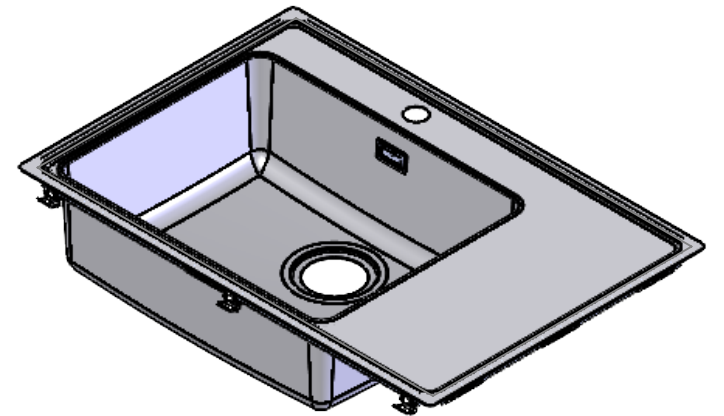
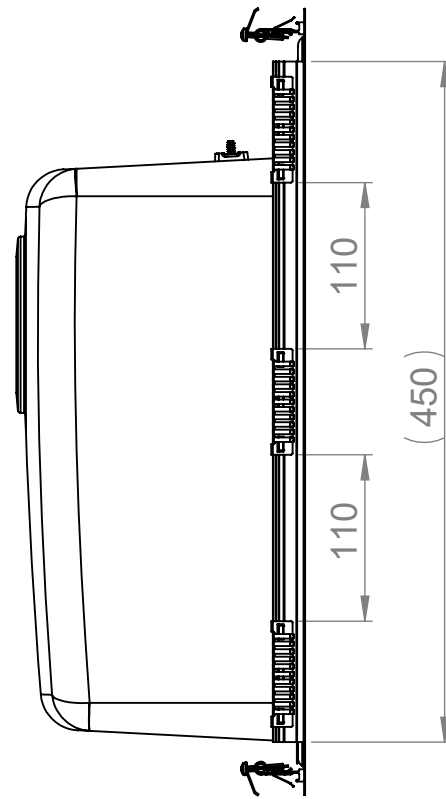
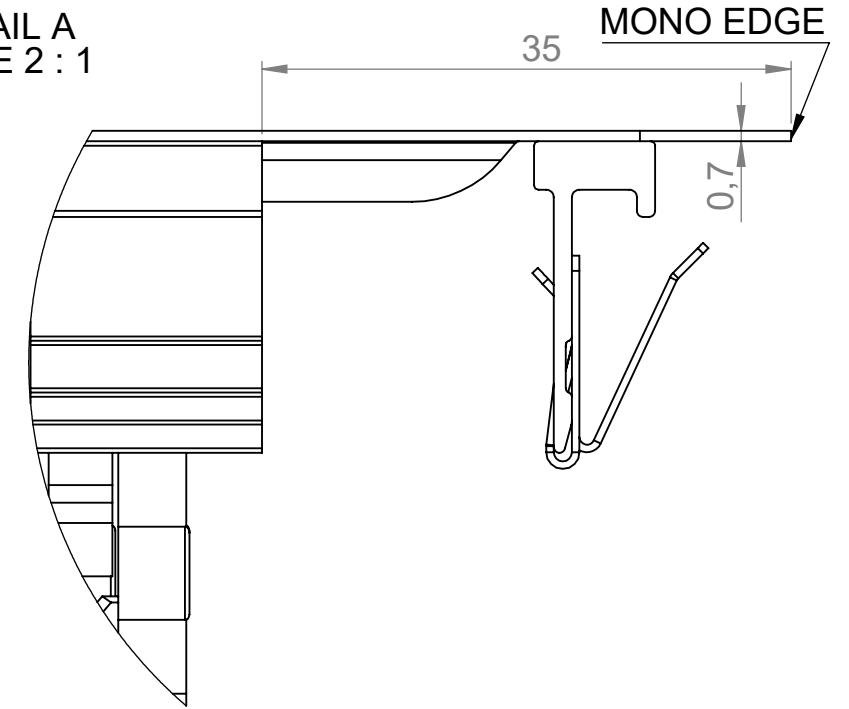


Change description

Date

Designed by

DETAIL A  
SCALE 2 : 1



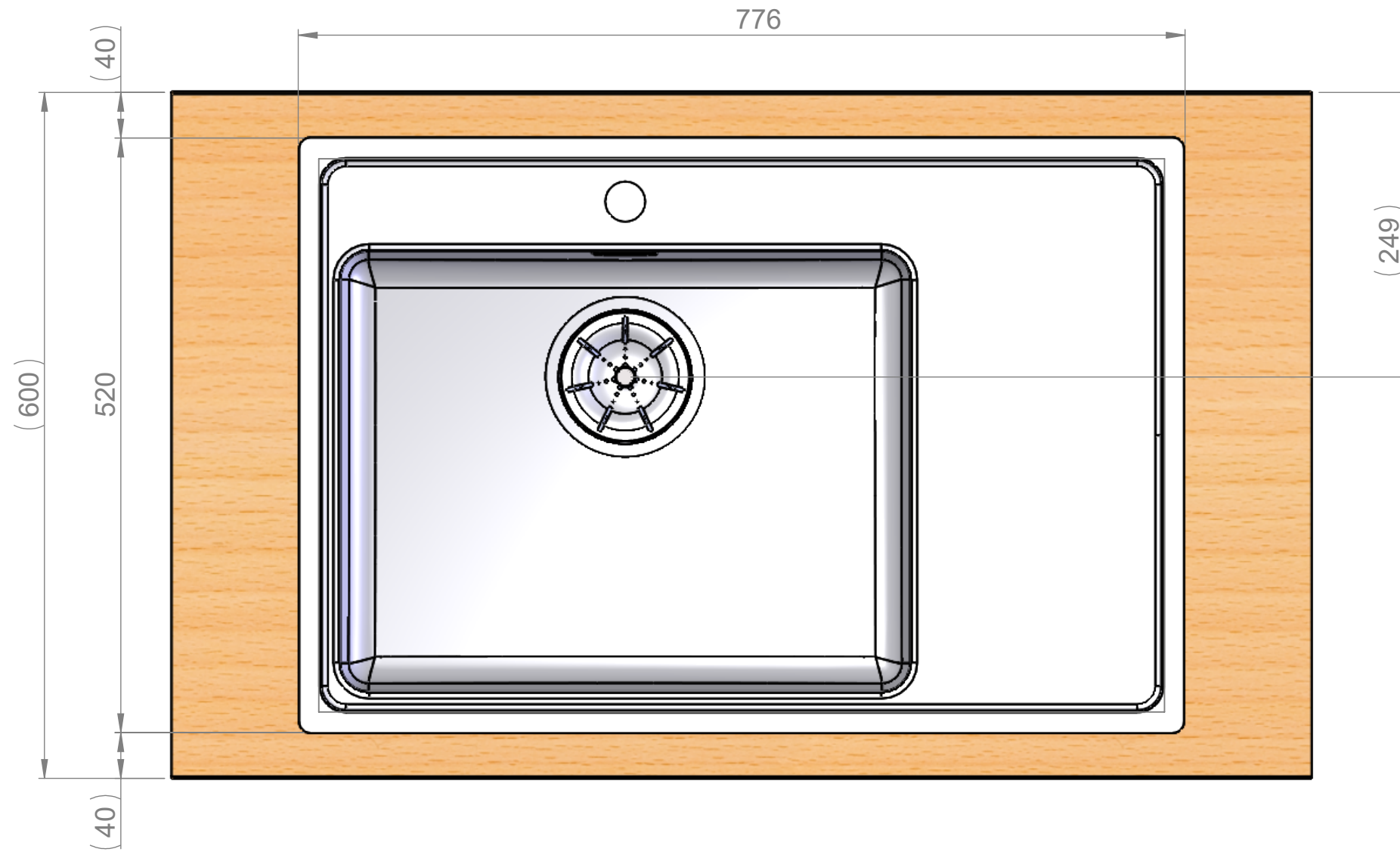
	Mass	kg	General tolerance	Designed by	Date
	Size	Scale		Item	PJ
	A3	1:5		Approved by	Date
				VS	09.08.2023
 Member of ALVEUS	Description		Drawing number	Sheet/sheets	
	ONE-TDR50		19608	1/6	Rev
	Technical Data Sheet				A

WORKTOP ASSEMBLY

Change description

Date

Designed by



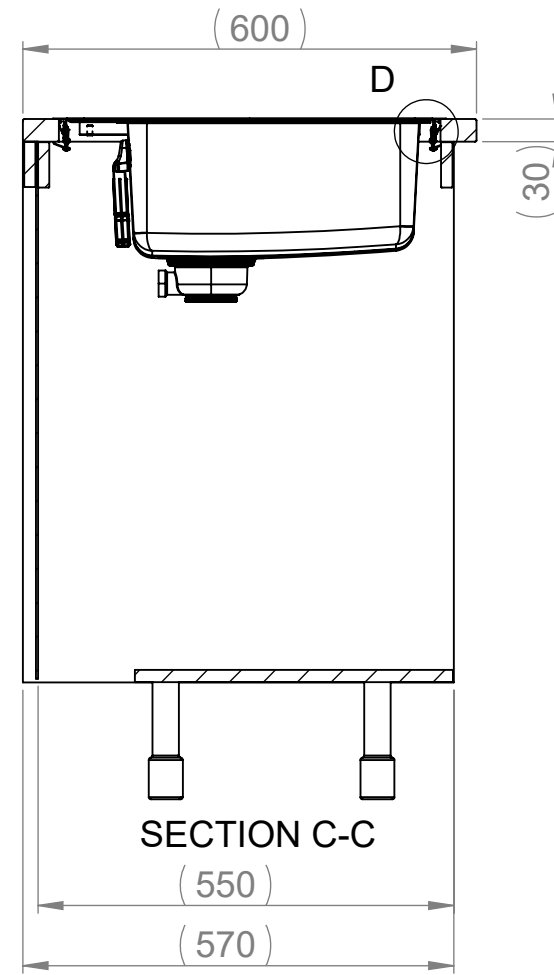
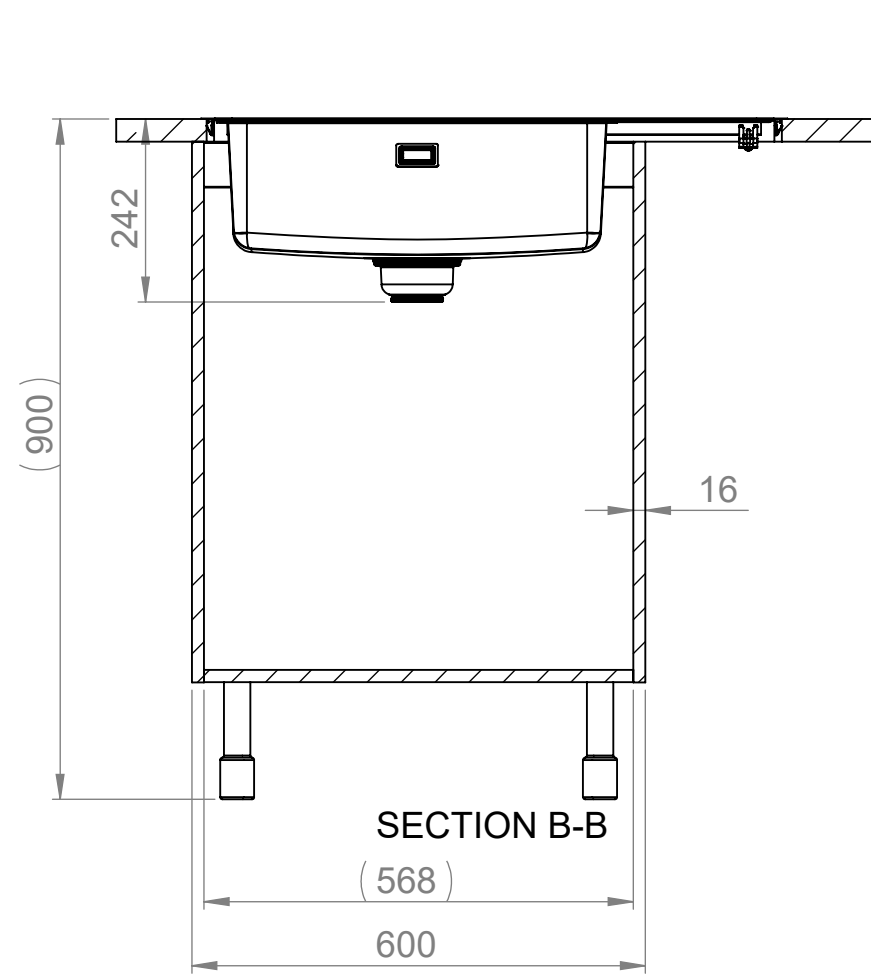
	Mass	kg	General tolerance	Designed by	Date
	Size	Scale	Item	PJ	03.03.2023
 Member of	A3	1:5	Description	Approved by	Date
			ONE-TDR50	VS	09.08.2023
			Technical Data Sheet	Drawing number	Sheet/sheets
			19608	2/6	Rev
				A	

SPACE REQUIREMENTS

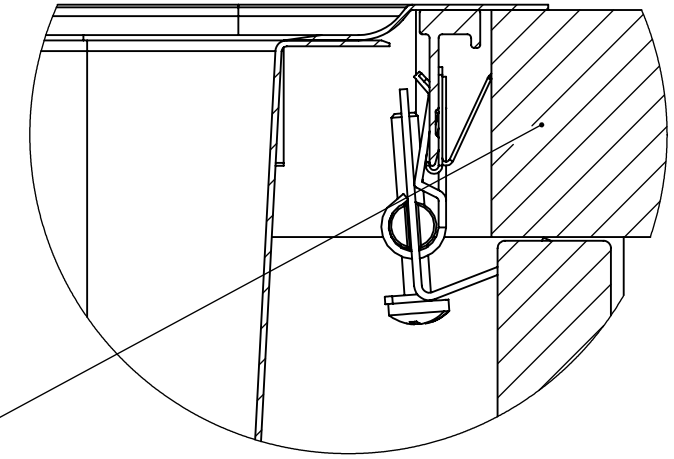
Change description

Date

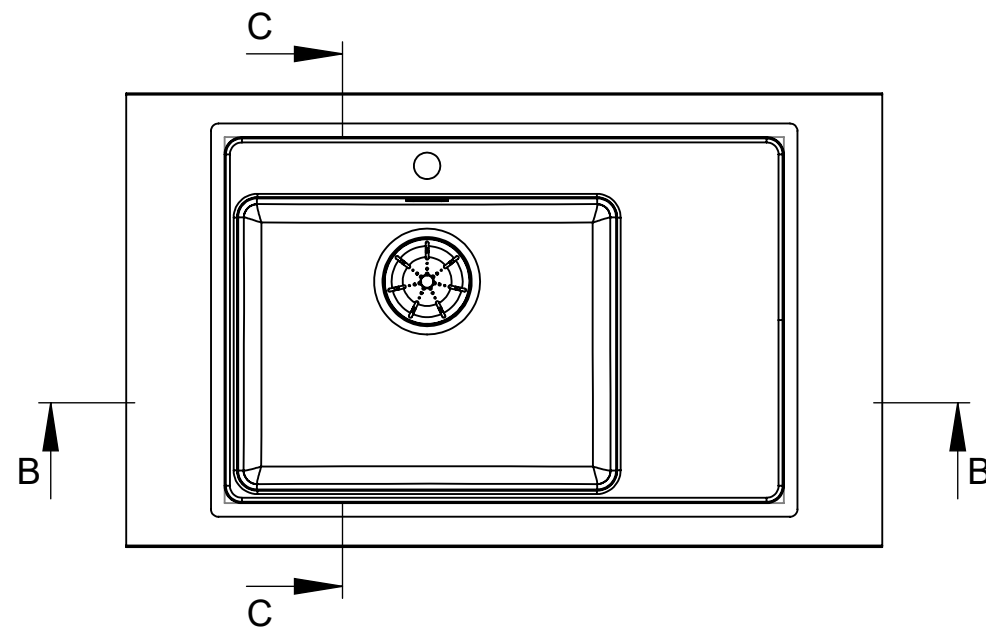
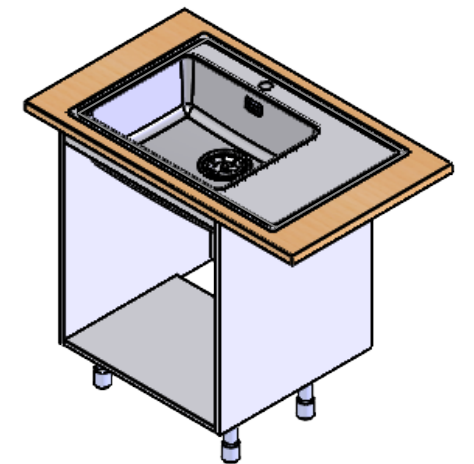
Designed by



DETAIL D  
SCALE 1 : 1

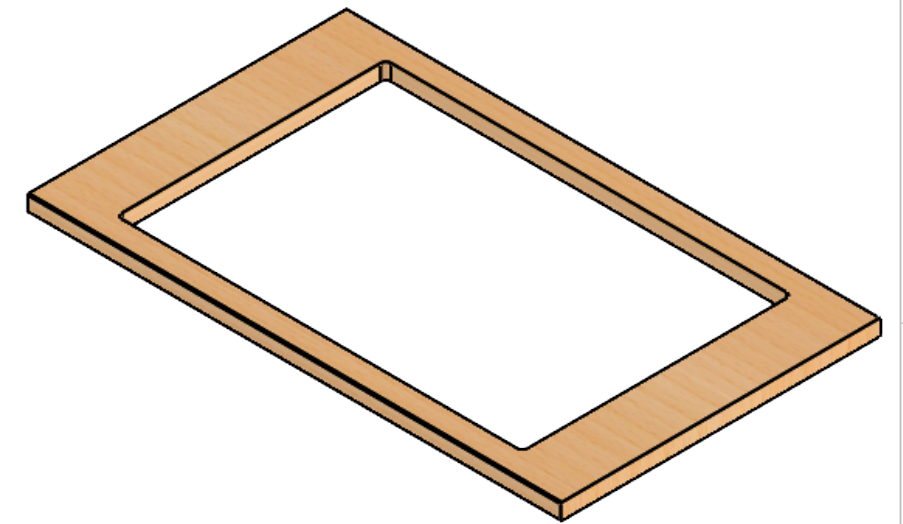
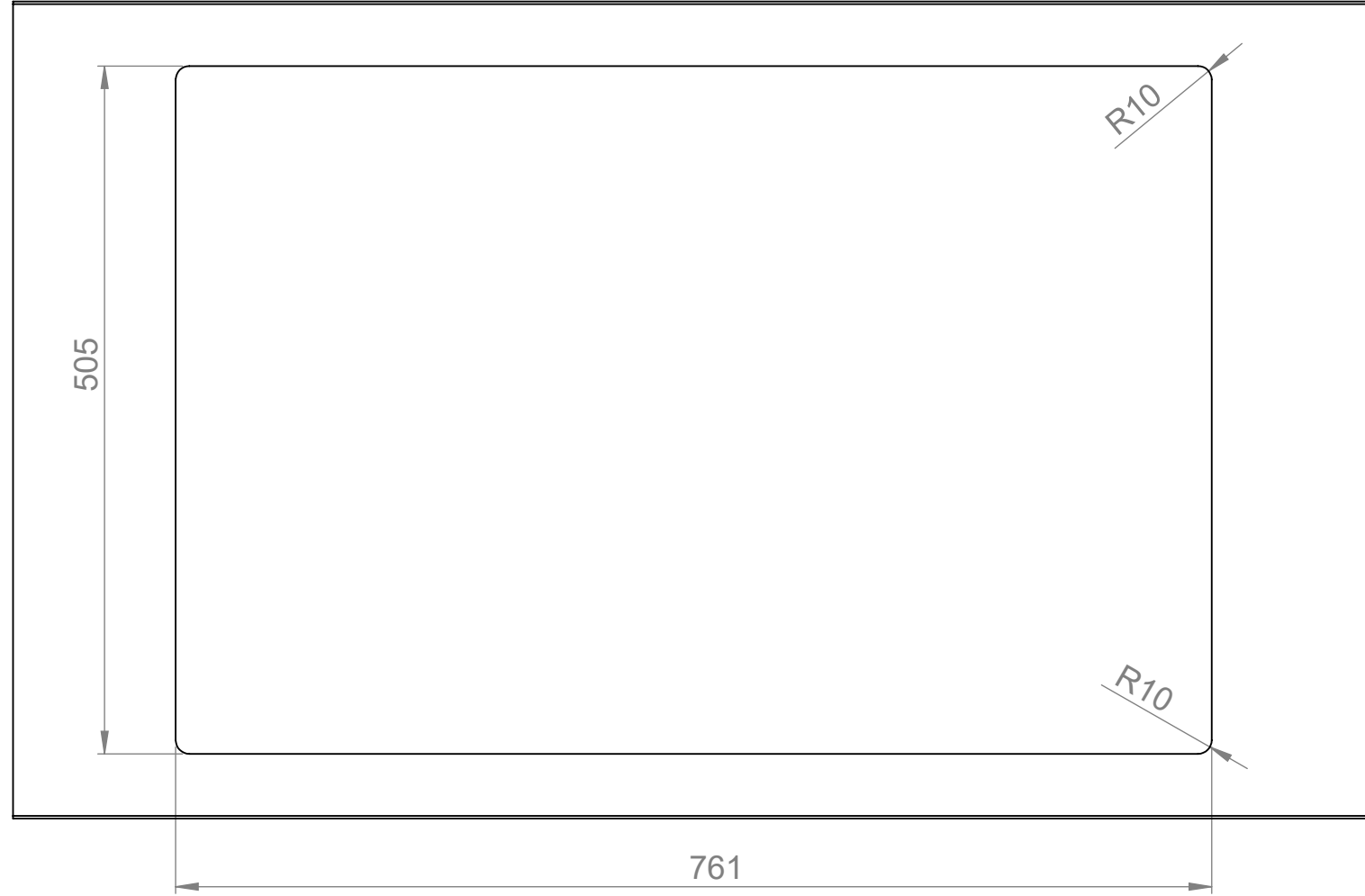


Huom!  
Tarvittaessa kaapin väliseinää ja etu/takalistaa lovettava kiinnikkeitä varten ja pesuallas on kiinnitettävä ennen työtason asennusta.  
Öbs!  
Vid behov måste en inskärning för höfastena göras i skåpets mellanvägg och förbindningslist och diskbänken måste fästas innan du monterar bänkskivan.  
Notice!  
The partition walls and front/back list of the cupboard must be notched for the sink mountings when needed and the sink must be fastened before installing the worktop.



	Mass	kg	General tolerance	Designed by	Date
	Size	Scale	Item	PJ	03.03.2023
	A3	1:10	Description	Approved by	Date
	ONE-TDR50	Technical Data Sheet	VS	09.08.2023	
	Drawing number		19608	Sheet/sheets	3/6
	Rev		A		

CUT-OUT



Change description					Date	Designed by
--------------------	--	--	--	--	------	-------------

	Mass	kg	General tolerance	Designed by	Date
	Size	A3	Scale	PJ	03.03.2023
	Scale	1:5	Description <b>ONE-TDR50</b> Technical Data Sheet	Approved by	Date
		Member of ALVEUS		VS	09.08.2023
			Drawing number	Sheet/sheets	
			<b>19608</b>	<b>4/6</b>	
				Rev	A

